



**JAY® J3 Carbon Fiber
Posterior (PA) Backrest**
Effective: 1st February 2017

RRP

Please Submit Purchase Order
along with your order form.

Mark For: _____
Date: _____
Buyer: _____

PO#: _____

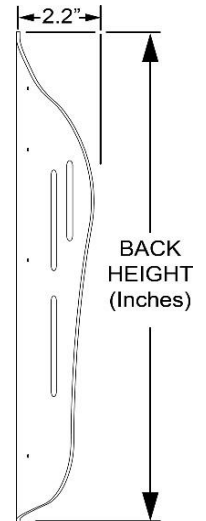
Dealer Contact: _____
Dealer Address: _____
Dealer City: _____ ST: _____ PC _____
Dealer Phone: () _____ Fax: () _____

ADDITIONAL SHIPPING INFORMATION
Ship To: _____
Attention: _____
Address: _____
Address: _____
City: _____ ST: _____ PC _____
Phone: () _____ Fax: () _____

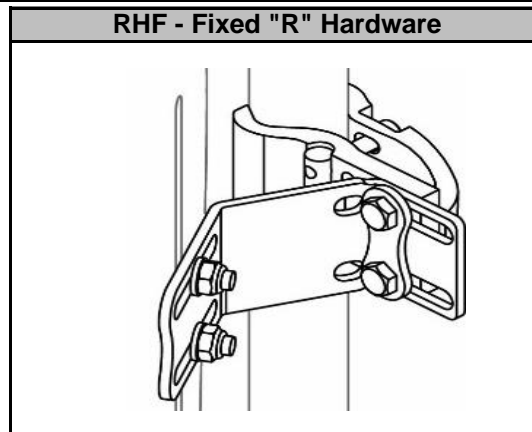
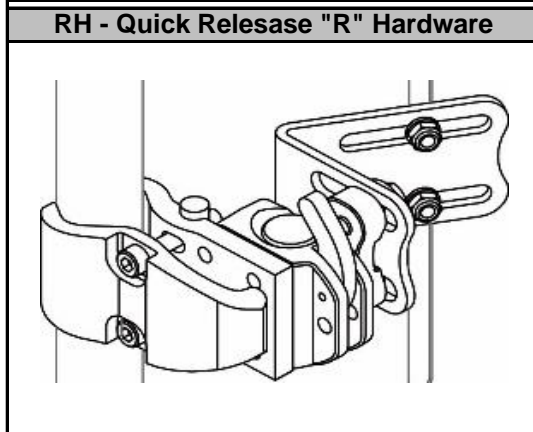
JAY J3 Carbon Fiber Posterior (PA) Backrest



BACKREST WIDTH	14"	16"	18"	20"
BACKCANE WIDTHS	14"- 16"	16"- 18"	18"- 20"	20"- 22"
MAX. USER TRUNK WIDTH	13"	15"	17"	19"



Back Height	Lower Thoracic (LT)		14"		16"		18"		20"	
		6.5" (S)	J3CFPALTSxxRH	<input type="checkbox"/> 15	\$924	<input type="checkbox"/> 17	\$924	<input type="checkbox"/> 19	\$924	
		J3CFPALTSxxRHF	<input type="checkbox"/> 15	\$924	<input type="checkbox"/> 17	\$924	<input type="checkbox"/> 19	\$924		
	8.0" (M)									
	9.5" (T)	J3CFPALTTxxRH	<input type="checkbox"/> 15	\$924	<input type="checkbox"/> 17	\$924	<input type="checkbox"/> 19	\$924	<input type="checkbox"/> 21	\$924
		J3CFPALTTxxRHF	<input type="checkbox"/> 15	\$924	<input type="checkbox"/> 17	\$924	<input type="checkbox"/> 19	\$924	<input type="checkbox"/> 21	\$924
Mid Thoracic (MT)		12.0"		16"		18"		20"		
	12.0" (S)	J3CFPAMTSxxRH	<input type="checkbox"/> 15	\$924	<input type="checkbox"/> 17	\$924	<input type="checkbox"/> 19	\$924	<input type="checkbox"/> 21	\$924
		J3CFPAMTSxxRHF	<input type="checkbox"/> 15	\$924	<input type="checkbox"/> 17	\$924	<input type="checkbox"/> 19	\$924	<input type="checkbox"/> 21	\$924
	13.5" (M)									
	15.0" (T)	J3CFPAMTTxxRH	<input type="checkbox"/> 15	\$924	<input type="checkbox"/> 17	\$924	<input type="checkbox"/> 19	\$924	<input type="checkbox"/> 21	\$924
		J3CFPAMTTxxRHF	<input type="checkbox"/> 15	\$924	<input type="checkbox"/> 17	\$924	<input type="checkbox"/> 19	\$924	<input type="checkbox"/> 21	\$924



JAY YOUR WAY MODIFICATIONS

Note: To order sizes offered via JAY Your Way add a "M" to the front of the part number and follow the prompts.
For additional modifications visit www.sunrisemedical.com to view even more!

SPINAL FLUID PAD			
<input type="checkbox"/>	SFP	Spinal Fluid Pad	\$77.00
VISCO FOAM INSERT			
<input type="checkbox"/>	VF	Visco Foam Insert	\$70.00
<input type="checkbox"/>	VFWSR	Visco Foam Insert with Spinal Relief	\$70.00

Notes:

Don't see the option you want? **NO PROBLEM!** Write your request in the notes section and we can evaluate it and provide a quote.